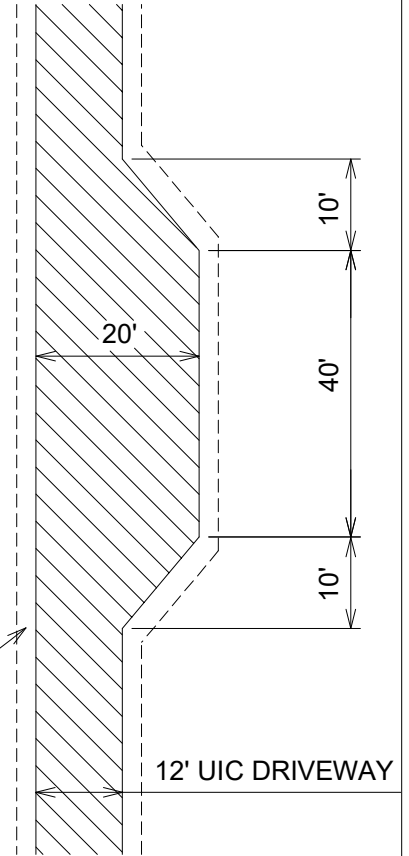
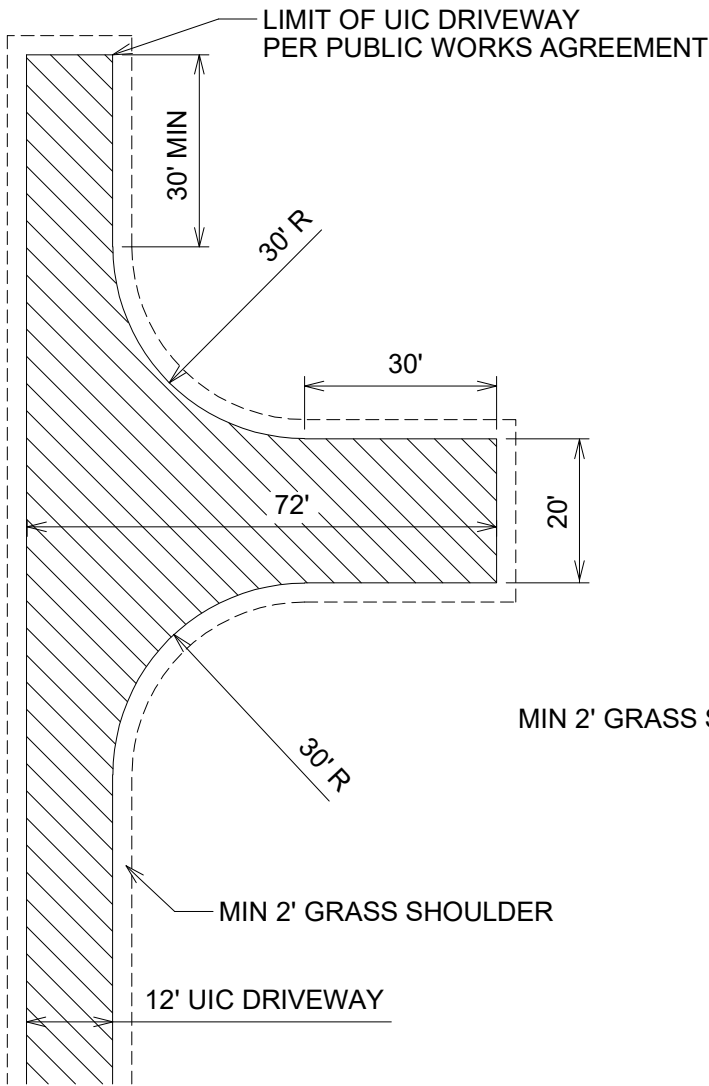


# TURN AROUND DETAIL



# PULLOVER DETAIL

## NOTES:

1. PULLOVER TO BE LOCATED AT OR NEAR THE MIDPOINT OF THE DRIVEWAY.
2. VEHICULAR TURN AROUND TO BE LOCATED AT OR NEAR THE END.
3. WHERE THE GRADE OF THE DRIVEWAY IS 10% OR GREATER THE PULLOVER IS TO BE PLACED ON THE RIGHT-HAND SIDE FOR VEHICLES TRAVELING DOWNHILL.
4. PULLOVERS SHALL BE THE SAME CROSS SLOPE AS THE ADJACENT DRIVEWAY.
5. TERMINUS DESIGN MAY BE USED IN LIEU OF TURN AROUND.

CARROLL COUNTY, MARYLAND DEPARTMENT OF PLANNING AND LAND MANAGEMENT	USE IN COMMON DRIVEWAY DETAILS FOR DRIVEWAYS LONGER THAN 500 FEET	PLATE NO.
		UIC 5
ISSUED:	REVISED:	
REVISED:	REVISED:	